

ENTU 763S/FE
ENTU 763S/GE

Ethernet Network Termination Unit



- Comply with IEEE 802.3, 802.3u, 802.3ab and 802.3z Ethernet Standard
- Support IEEE 802.3ah In-band and TS 1000 OAM management
- Front panel test button to trigger auto loopback test
- Support SFP DDM (Digital Diagnostics Monitoring)
- Support WDM Bi-directional SFP module with specific wavelength for various distance
- Support copper line cable diagnostics feature
- Comply with IEEE 802.1q Tag VLAN
- Support Q-in-Q function
- Maximum Frame size 9K bytes
- Ethernet bandwidth Control
- Support Flow Control, Auto-Cross over for MDI/MDIX on TP port
- LED indicators for ease of network diagnostic
- Support Link status Transparent
- Prompt indication on network failure
- Firmware upgrade via HTTP
- Built-in IP-based WEB GUI configuration and maintenance
- Centralized management for CO-side equipment
- iEAC-16 chassis supports 16 Line cards

Tainet's new Ethernet Network Terminal Unit Series allows the operator to separate each user's traffic and offer services such as inter-office LAN connectivity, Internet access and secure virtual private networks (VPNs). This approach extends the service over fiber, facilitating management of differentiated services up to the customer premises while ensuring service level agreement (SLA) enforcement.

ENTU 763S/FE or GE at the customer premises allows the operator to reach customer over fiber, while still providing a standard Ethernet copper connection, and being part of the operator's network, enables the converter to act as a demarcation point between the operator and the customer. Ethernet in the Local Loop reduces carrier expenses, since Ethernet ports are far less expensive than other options, Tainet's cost-effective, remotely-managed ENTU series is an ideal fiber solution for every carrier's Local Loop because it provides access regardless of the backbone technology, and cost saving which can be passed on by the carrier to consumers.

Tainet's iEAC-16 is a 2U high 19" rack containing a controller MCU-16, redundant AC/DC power modules and 16 slots with three types of line cards including ENTU, SNTU and VNTU. Therefore, iEAC-16 is able to extend Ethernet traffic over optical fiber, copper line such as G.SHDSL.bis line with 2w/4w/8w and VDSL line with 2-wire copper or coaxial cable. Also it can be cascaded up to 8 chassis and managed through Web GUI, CLI (Telnet and craft port). iEAC-16 is an ideal product to provide high density Ethernet extender installation in central offices or enterprises.



Model

- ENTU 763S/GE, stand alone Gigabit Ethernet NTU
- ENTU 763S/FE, stand alone Fast Ethernet NTU
- iEAC-16, 2U 19" Rack, 16 slots for line card
 - Controller with NMS/WEB agent (MCU-16)
 - Hot Swappable Redundant AC/DC Power Modules (iEAC-AC or iEAC-DC)
 - Green FAN facility, ON and OFF by internal temperature (iEAC-FAN)
 - UP to 8 chassis can be cascaded and managed by single IP
- Line card ENTU 763C/FE, ENTU 763C/GE

Network Interface

- Connector type: SFP-LC
- ENTU 763S/FE: 100Base-FX SFP modules
- ENTU 763S/GE: 1000Base-X SFP modules
- Support SFP DDM (Digital Diagnostic Monitoring)
 - Temperature, Voltage, Current, Tx Power, Rx Power
- For detailed wavelength and distance of SFP modules, please refer to SFP Transceivers datasheet

User Interface

- Connector type: Shield RJ-45 jack
- ENTU 763S/FE: 10Base-T/100Base-Tx
- ENTU 763S/GE: 10Base-T/100Base-Tx/1000-BaseT
- Auto-MDI/MDIX detection
- Auto-negotiation for speed and duplex
- Full duplex / Half duplex support
- Support copper line cable diagnostics feature
- Complies with IEEE 802.1q Tag VLAN (including Q-in-Q)
- Ethernet bandwidth control and support Jumbo frame

Management & OAM Functions

- Configuration via craft port VT-100 and WEB GUI
- Console: RJ45 connector (RS232C)
- HTTP firmware upgrade
- RMON counter
- Front panel test button for easy loop healthy testing
- Reset button back to factory default

- Support IEEE 802.3ah Link Layer OAM
 - Auto discovery
 - Link monitoring
 - Remote loopback test
 - Remote fault detection
 - Link Fault Reflection
 - Dying Gasp
 - Critical Event
- Support TS-1000 OAM
 - Loopback test
 - Reset remote device
 - Get remote device information
 - Remote port setting

LED Indicators

- ENTU series:
 - PWR, LNK, CO, TST, TP, RF, LAN LNK/SPD

Power Requirement

- AC/DC, DC/DC external power adapter (12V, 0.5A)
- Power consumption:
 - ENTU 763S/FE = 1.8W
 - ENTU 763S/GE = 3.3W

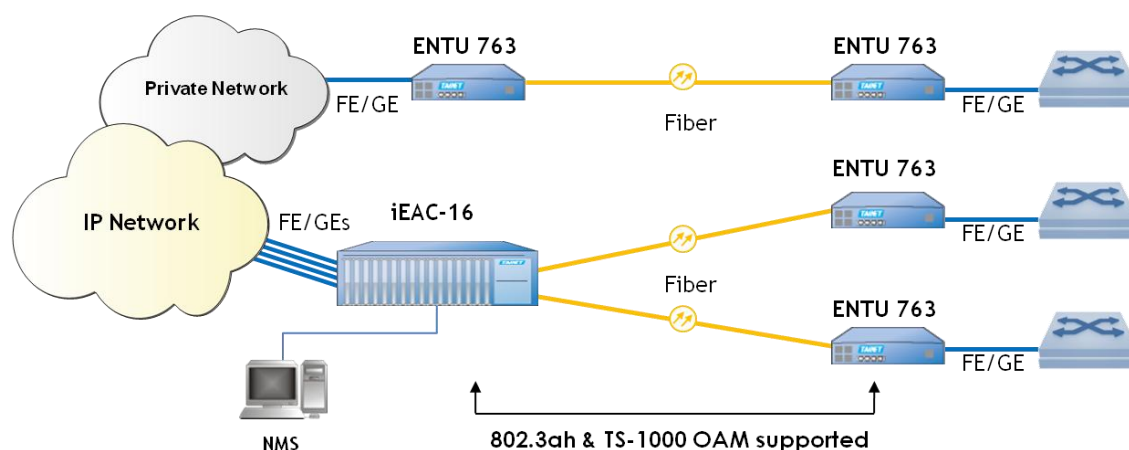
Dimension

- ENTU 763S: 87(W) x 172(D) x 24(H) mm

Operating Environment

- Operation Temperature: 0 °C ~ 50 °C
- Storage Temperature: -20 °C ~ 70 °C
- Humidity: 90%, non-condensing

Carrier/Service Provider/Campus/Enterprise/Utility



Note:

1. "*" for future release
2. Features and specifications are subject to change without prior notice.